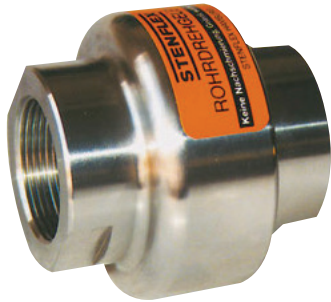




Swivel Joint (rotating head joint) Type DK-01

DN 8 - DN 50



Rotating head joint

Structure

- stator (outer part) and rotor (inner part) joined by a single-row ball bearing
- for-life lubrication provided in the factory
- female thread according to ISO 7-1 (DIN 2999)

Materials

Basic unit with threaded connection	
	1.7225
	1.4571

Standard sealings

- PTFE-Compounddichtung

Special sealings

- additional inner sealing for heavily polluted media
- medium sealings for oxygen, steam and food products

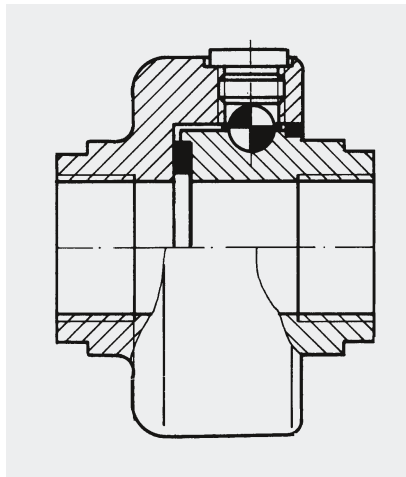
Pressure rating

- PN 100 (1.7225)
- PN 40 (1.4571)

Surface protection

- Gas nitration
- Corrosion-protection primer

Design



Type DK-01
with one-row ball bearing

Dimensions

DN 8 to DN 50

Notes

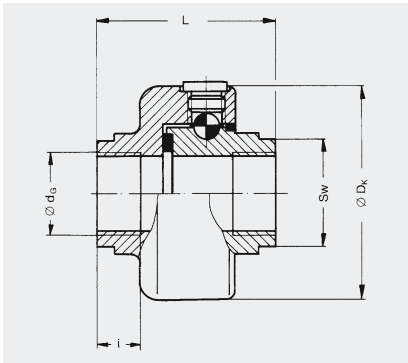
General technical instructions must be observed. Subject to technical alterations and fluctuations caused by the production process.
Number of revolutions for swivel and rotation movements ≤ 10 rpm.
Swivel movements in several planes see catalogue page 5/5.
Sets of sealings and balls available individually as spare parts.

Application

- for liquid or gaseous media at high temperatures and pressures
- for slow swivel and rotation movements through 360°
- fast installation with threaded connection
- for rough operating conditions
 - in hydraulic flow pipes
 - at roll stands
 - at hose drums
- for installation in flexible pipeline systems, for conveying media from a fixed point to any required flexible point
 - filling systems
 - loading and swivel arms
 - pipe joint shears
- use at test facilities
- special designs suitable for food products

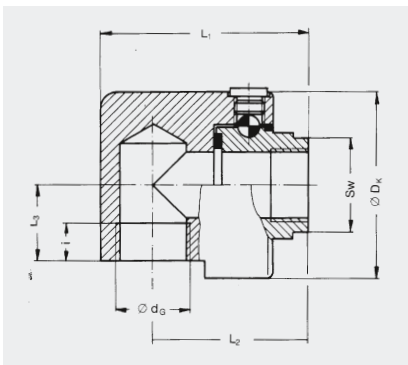


Form 11IG / threaded connection



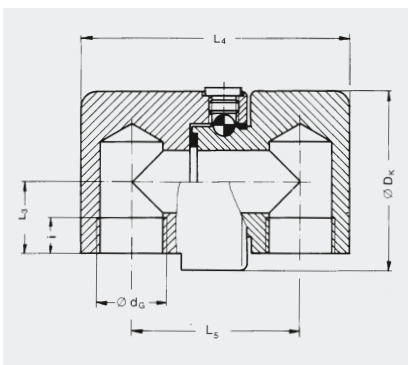
DN	$\varnothing d_G$ Zoll	i mm	$\varnothing D_k$ mm	S_w mm	L mm	weight approx. kg
8	Rp 1/4"	12	72	32	78	1.2
10	Rp 3/8"	12	72	32	78	1.2
15	Rp 1/2"	14	72	32	78	1.3
20	Rp 3/4"	16	72	32	78	1.3
25	Rp 1"	18	78	41	85	1.6
32	Rp 1 1/4"	20	88	55	85	2.2
40	Rp 1 1/2"	22	96	60	90	2.2
50	Rp 2"	24	118	70	100	4.1

Form 12IG / threaded connection



DN	$\varnothing d_G$ Zoll	i mm	$\varnothing D_k$ mm	S_w mm	L_1 mm	L_2 mm	L_3 mm	weight approx. kg
8	Rp 1/4"	12	72	32	92	75	30	1.8
10	Rp 3/8"	12	72	32	92	75	30	1.85
15	Rp 1/2"	14	72	32	92	75	30	1.9
20	Rp 3/4"	16	72	32	92	75	30	2.0
25	Rp 1"	18	78	41	107	85	32	2.6
32	Rp 1 1/4"	20	88	55	115	90	33	3.5
40	Rp 1 1/2"	22	96	60	132	100	35	4.3
50	Rp 2"	24	118	70	150	110	42	7.4

Form 13IG / threaded connection



DN	$\varnothing d_G$ Zoll	i mm	$\varnothing D_k$ mm	S_w mm	L_3 mm	L_4 mm	L_5 mm	weight approx. kg
8	Rp 1/4"	12	72	30	92	110	75	2.5
10	Rp 3/8"	12	72	30	92	110	75	2.6
15	Rp 1/2"	14	72	30	92	110	75	2.7
20	Rp 3/4"	16	72	30	92	110	75	2.8
25	Rp 1"	18	80	32	107	130	85	3.8
32	Rp 1 1/4"	20	88	33	115	152	100	5.8
40	Rp 1 1/2"	22	96	35	132	175	110	6.4
50	Rp 2"	24	118	42	150	208	128	11.5